



VESTIL MANUFACTURING CORP.

2999 North Wayne Street, P.O. Box 507, Angola, IN 46703

Telephone: (260) 665-7586 -or- Toll Free (800) 348-0868

Fax: (260) 665-1339

www.vestilmfg.com e-mail: sales@vestil.com

CYL-DLX-1-PN & CYL-DLX-1-HR CYLINDER CARTS

INSTRUCTION MANUAL



Receiving instructions:

After delivery, IMMEDIATELY remove the packaging from the product in a manner that preserves the packaging and maintains the orientation of the product in the packaging; then inspect the product closely to determine whether it sustained damage during transport. **If damage is discovered during the inspection, immediately record a complete description of the damage on the bill of lading.** If the product is undamaged, discard the packaging.

NOTES:

1) Compliance with laws, regulations, codes, and non-voluntary standards enforced in the location where the product is *used* is exclusively the responsibility of the owner/end-user.

2) VESTIL is **not liable** for any injury or property damage that occurs as a consequence of failing to apply either: a) Instructions in this manual; or b) Information provided on labels affixed to the product. Neither is Vestil responsible for *any* consequential damages sustained as a result of failing to exercise sound judgment while assembling, installing, using or maintaining this product.

Table of Contents

Hazard identification: explanation of signal words.....	2
Safety Guidelines.....	2
FIG. 1: CYL-DLX-1-PN exploded parts diagram & bill of materials.....	3
FIG. 2: CYL-DLX-1-HR exploded parts diagram & bill of materials.....	4
Use instructions.....	5
Inspections and Maintenance.....	5
Label placement diagram.....	6
Limited warranty.....	7

Hazard Identification--Explanation of SIGNAL WORDS

This manual uses SIGNAL WORDS to indicate the likelihood of personal injuries, as well as the probable seriousness of those injuries, if the product is misused in the ways described. Other signal words call attention to uses of the product likely cause property damage.

The signal words used appear below along with the meaning of each word:



Identifies a hazardous situation which, if not avoided, **WILL** result in **DEATH** or **SERIOUS INJURY**. Use of this signal word is limited to the most extreme situations.



Identifies a hazardous situation which, if not avoided, **COULD** result in **DEATH** or **SERIOUS INJURY**.



Indicates a hazardous situation which, if not avoided, **COULD** result in **MINOR** or **MODERATE** injury.



Identifies practices likely to result in product/property damage, such as operation that might damage the product.

Each person who assembles, installs, uses, or maintains this product should read the entire manual **in advance and fully understand the directions**. **If after reading the manual you do not understand an instruction, ask your supervisor or employer for clarification, because failure to adhere to the directions in this manual might result in serious personal injury.**

SAFETY GUIDELINES

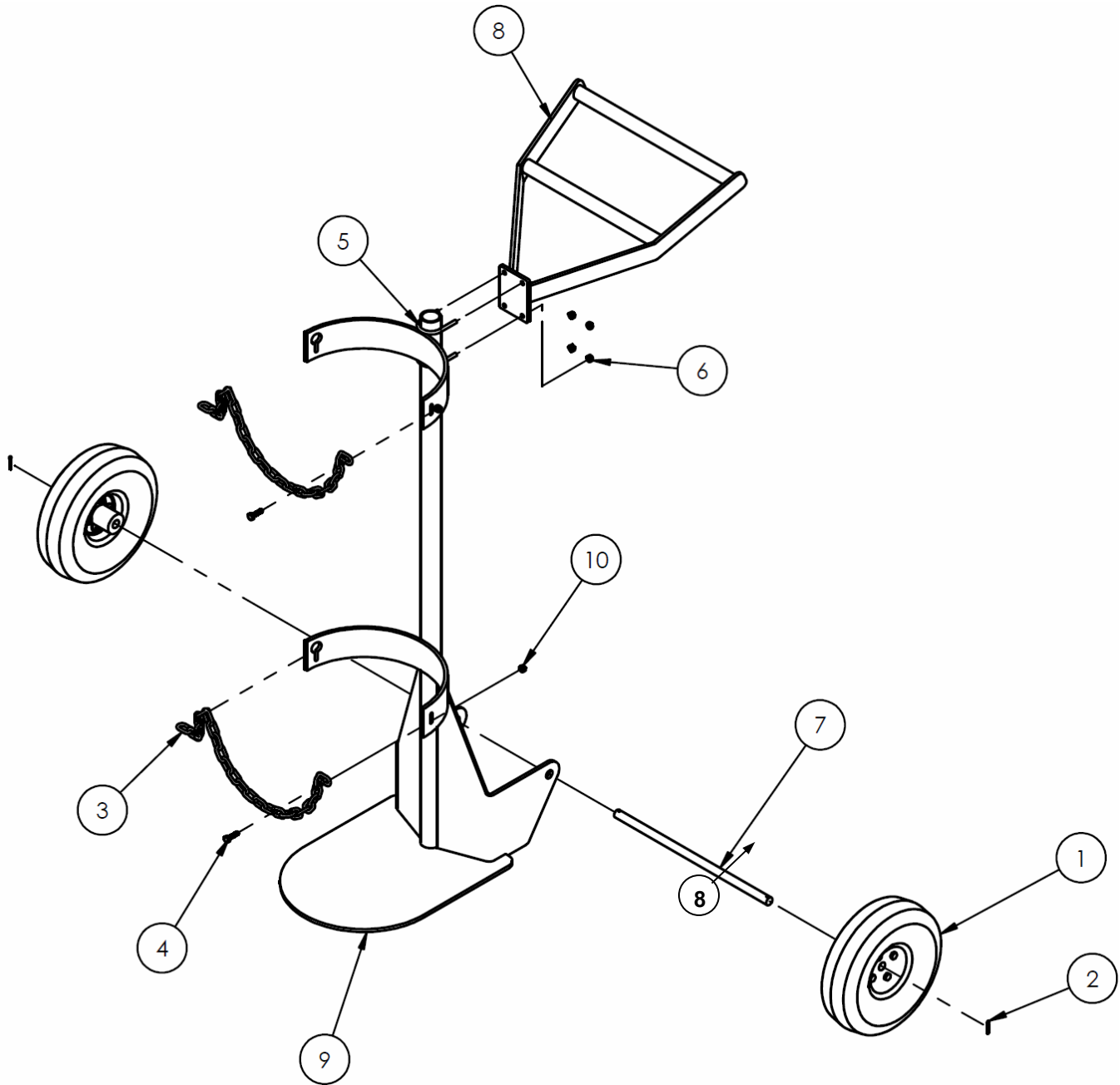
Vestil diligently strives to identify foreseeable hazards associated with the use of its products. However, no manual can address every conceivable risk. The end-user ultimately is responsible for exercising sound judgment at all times.



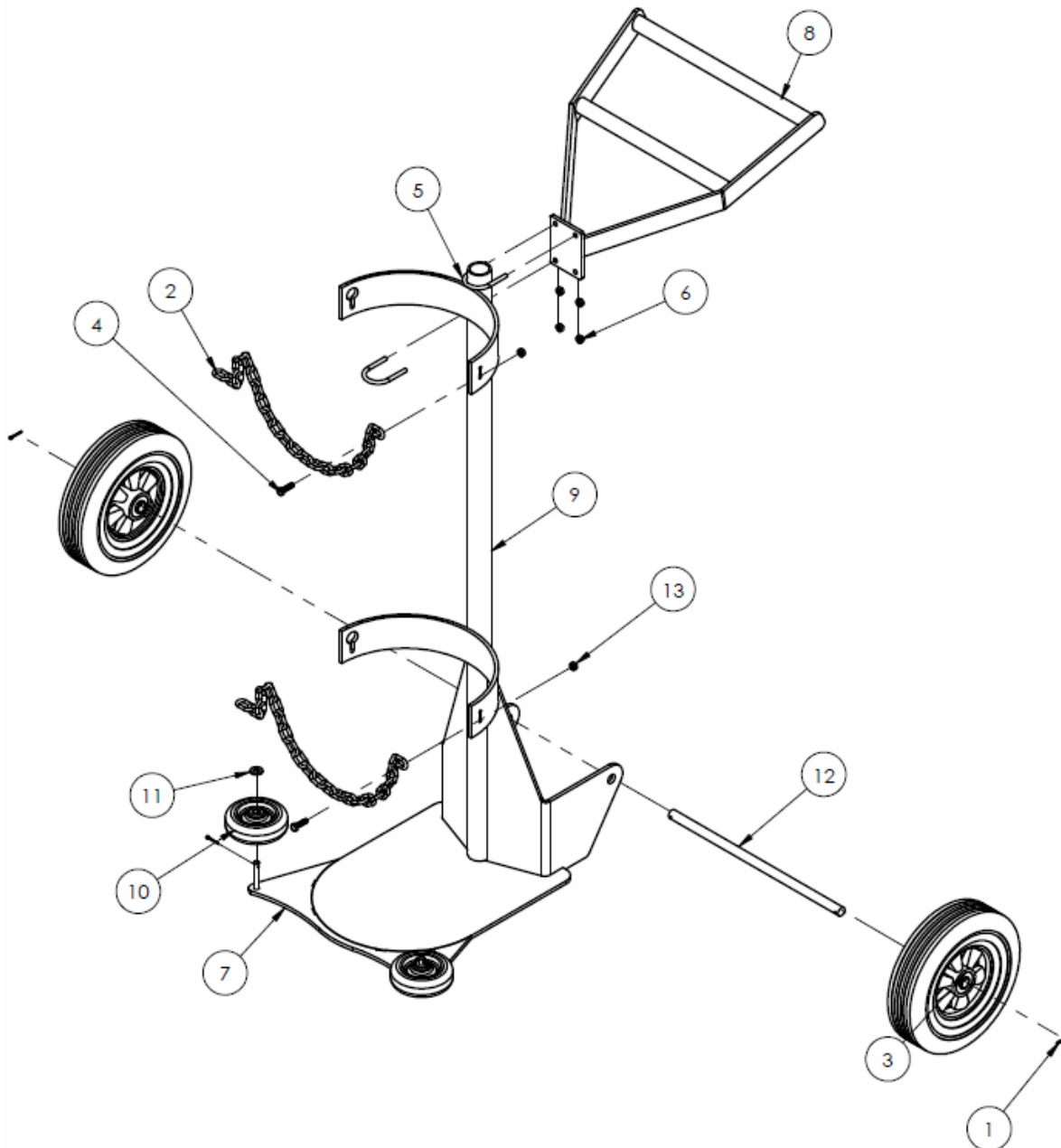
If this product is used improperly or carelessly, the operator and/or bystanders might sustain serious personal injuries or even be killed. **ALWAYS** use the product properly:

- ***Failure to read and understand the entire manual before assembling, installing, using or servicing the product constitutes misuse.*** Read the manual to refresh your understanding of proper use and maintenance procedures.
- DO NOT exceed the maximum rated load.
- Inspect the dolly before each use. Remove the dolly from service if the inspection reveals damage *such as*: 1) cracked welds; 2) corrosion, extreme wear, or other condition that affects the ability of the product to support applied weight; 3) significantly worn or cracked casters; 4) missing chains (1 chain for each of the semicircular brackets). DO NOT use the product until it is restored to normal condition. **ONLY** use manufacturer-approved replacement parts.
- DO NOT use the dolly to transport any cylinder that does not seat securely in the semicircular brackets.
- DO NOT transport a cylinder without using the bracket chains. Each time the dolly is used to transport a cylinder, wrap the chains without slack around the cylinder. Secure the chains in the latch slots on the opposite side of the brackets.
- When transporting a cylinder up-or-downhill, always remain uphill to the cylinder.
- DO NOT remove or obscure any label. All product labels must be readable and undamaged.
- DO NOT modify the dolly in any way. **Unauthorized modifications automatically void the limited warranty (see p. 7) and might make the dolly unsafe to use.**

FIG. 1: CYL-DLX-1-PN exploded parts diagram & bill of materials



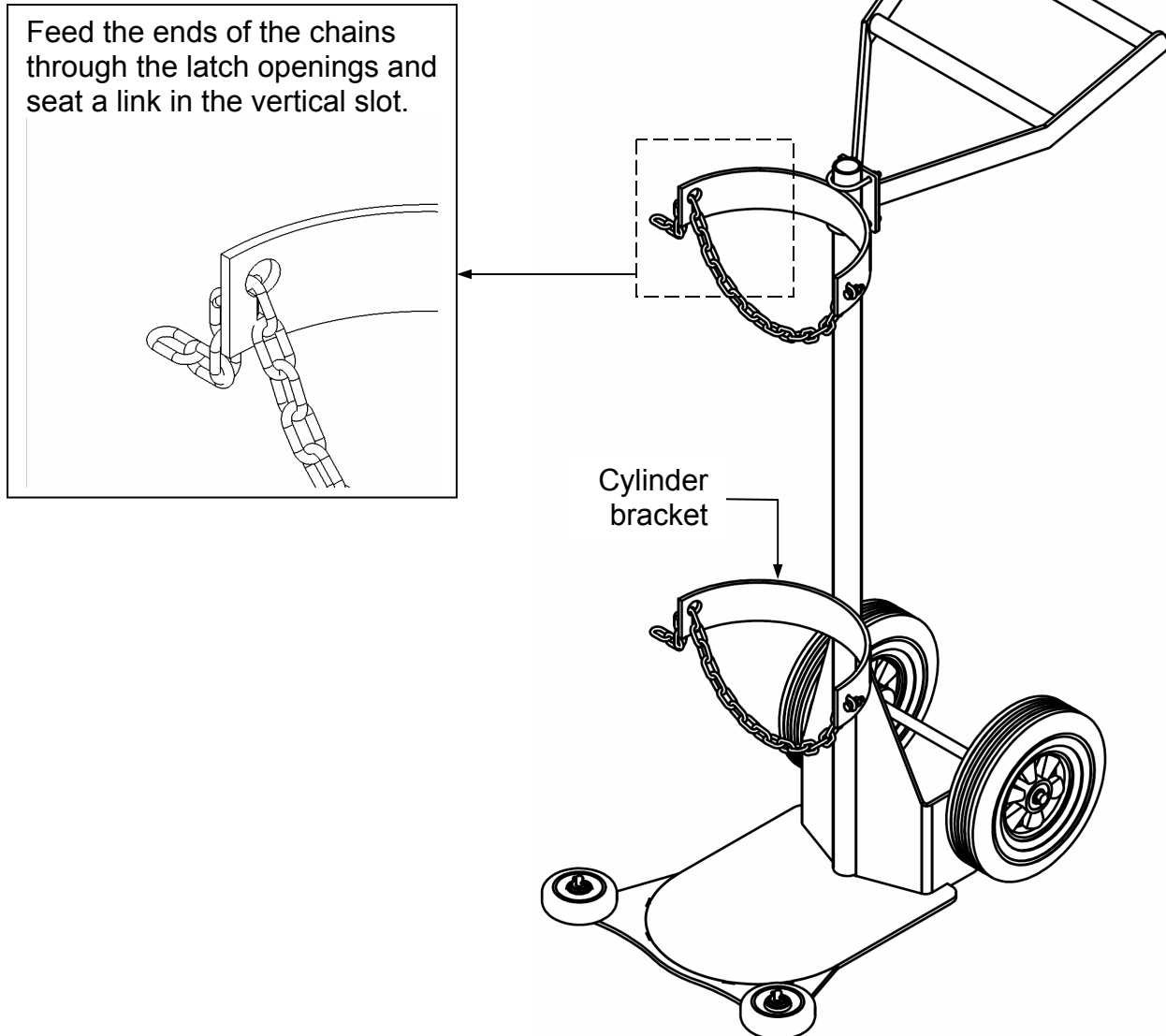
Item no.	Part no.	Description	Quantity
1	16-132-199	10in. x 3½in. pneumatic wheel for 5/8in. axle	2
2	65026	5/64in. x 1 in. zinc-plated cotter pin	2
3	44-145-004	3/16in. x 24in. chain	2
4	11005	1/4in. – 20 UNC x 1in. HHCS #2 zinc-plated bolt	2
5	42016	1/4in. – 20 UNC x 1½in. U-bolt	2
6	36102	1/4in. – 20 zinc-plated hex nut	4
7	16-112-019	Axle	1
8	16-525-022	Double handle grab bar weldment	1
9	16-514-139	Base and support gusset weldment	1
10	37018	1/4in. – 20 UNC zinc-plated nylock nut	2

FIG. 2: CYL-DLX-1-HR exploded parts diagram & bill of materials

Item no.	Part no.	Description	Quantity
1	65026	$\frac{5}{64}$ in. x 1 in. zinc-plated cotter pin	4
2	44-145-004	$\frac{3}{16}$ in. x 24in. chain	2
3	16-132-176	10in. $2\frac{1}{2}$ in. hard rubber wheel ($\frac{5}{8}$ in. axle)	2
4	11005	$\frac{1}{4}$ in. – 20 UNC x 1in. HHCS #2 zinc-plated bolt	2
5	42016	$\frac{1}{4}$ in. – 20 UNC x $1\frac{1}{2}$ in. U-bolt	2
6	36102	$\frac{1}{4}$ in. – 20 zinc-plated hex nut	4
7	16-514-131	Roller guide frame weldment	1
8	16-525-022	Double handle grab bar weldment	1
9	16-514-139	Base and support gusset weldment	1
10	16-132-009	PP-4/1.25-W roller	2
11	33008	$\frac{1}{4}$ in. – 20 UNC zinc-plated nylock nut	2
12	16-112-019	Axle	1
13	37018	$\frac{1}{4}$ in. – 20 UNC zinc-plated lock nut	2

Use Instructions:

1. Place the cylinder on the cart. Position the cylinder so that it seats firmly within the (semicircular) cylinder brackets.
2. Wrap the chains around the cylinder with no slack.
3. Feed the free ends of the chains through the latch openings in the brackets, and seat a link into the vertical slots.



Inspections and Maintenance:

Inspect the dolly periodically (at least every couple of months) to confirm normal condition. If the inspection reveals problems, do not use the dolly until it is restored to normal condition.

- Examine the dolly for cracked welds, metal fatigue, rust, and corrosion that affects the structural integrity of the dolly.
- Inspect the cylinder brackets. Each bracket should be solidly welded to the upright frame.
- Check the hardware that fastens the handle to the frame. The connection should not be loose. Tighten the fasteners if necessary.
- Check the overall structure of the dolly. The frame should be rigid and square.

Label placement diagram:
The dolly is labeled as shown below.

MODEL/MODÉLO/MOÐELE	_____
CAPACITY	_____ lbs.
CAPACIDAD/CAPACITÉ	_____ kgs.
SERIAL/SERIE/SÉRIE	_____

287
(COVERED WITH LABEL 770)
287

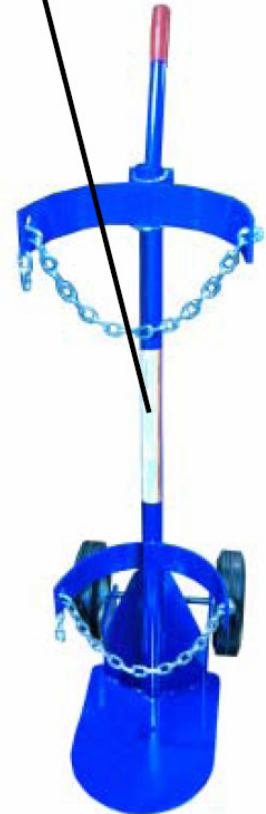


▲ AVVERTENZE	▲ ADVERTENCIA	▲ AVVERTISSEMENT
<ul style="list-style-type: none"> Non caricare. Non caricare mai oltre il limite massimo. Non caricare mai oltre il 25% della capacità nominale. Non caricare mai oltre il 25% della capacità nominale. Non caricare mai oltre il 25% della capacità nominale. 	<ul style="list-style-type: none"> No cargar. No cargar nunca más allá del límite máximo. No cargar nunca más allá del 25% de la capacidad nominal. No cargar nunca más allá del 25% de la capacidad nominal. No cargar nunca más allá del 25% de la capacidad nominal. 	<ul style="list-style-type: none"> Ni charger. Ni charger jamais au-delà de la limite maximale. Ni charger jamais au-delà de 25% de la capacité nominale. Ni charger jamais au-delà de 25% de la capacité nominale. Ni charger jamais au-delà de 25% de la capacité nominale.

658

▲ AVVERTENZE	▲ ADVERTENCIA	▲ AVVERTISSEMENT
<ul style="list-style-type: none"> Non caricare. Non caricare mai oltre il limite massimo. Non caricare mai oltre il 25% della capacità nominale. Non caricare mai oltre il 25% della capacità nominale. Non caricare mai oltre il 25% della capacità nominale. 	<ul style="list-style-type: none"> No cargar. No cargar nunca más allá del límite máximo. No cargar nunca más allá del 25% de la capacidad nominal. No cargar nunca más allá del 25% de la capacidad nominal. No cargar nunca más allá del 25% de la capacidad nominal. 	<ul style="list-style-type: none"> Ni charger. Ni charger jamais au-delà de la limite maximale. Ni charger jamais au-delà de 25% de la capacité nominale. Ni charger jamais au-delà de 25% de la capacité nominale. Ni charger jamais au-delà de 25% de la capacité nominale.

286



LIMITED WARRANTY

Vestil Manufacturing Corporation ("Vestil") warrants this product to be free of defects in material and workmanship during the warranty period. *Our warranty obligation is to provide a replacement for a defective original part if the part is covered by the warranty, after we receive a proper request from the warrantee (you) for warranty service.*

Who may request service?

Only a warrantee may request service. *You are a warrantee if* you purchased the product from Vestil or from an authorized distributor AND Vestil has been fully paid.

What is an "original part"?

An original part is a part used to make the product as shipped to the warrantee.

What is a "proper request"?

A request for warranty service is proper if Vestil receives: 1) a photocopy of the Customer Invoice that displays the shipping date; AND 2) a written request for warranty service including your name and phone number. Send requests by any of the following methods:

Mail
Vestil Manufacturing Corporation
2999 North Wayne Street, PO Box 507
Angola, IN 46703

Fax
(260) 665-1339
Phone
(260) 665-7586

Email
sales@vestil.com

In the written request, list the parts believed to be defective and include the address where replacements should be delivered.

What is covered under the warranty?

After Vestil receives your request for warranty service, an authorized representative will contact you to determine whether your claim is covered by the warranty. Before providing warranty service, Vestil may require you to send the entire product, or just the defective part or parts, to its facility in Angola, IN. The warranty covers defects in the following original dynamic components: motors, hydraulic pumps, electronic controllers, switches and cylinders. It also covers defects in original parts that wear under normal usage conditions ("wearing parts"), such as bearings, hoses, wheels, seals, brushes, and batteries.

How long is the warranty period?

The warranty period for original components is 90 days. The warranty period begins on the date when Vestil ships the product to the warrantee. If the product was purchased from an authorized distributor, the period begins when the distributor ships the product. Vestil may extend the warranty period for products shipped from authorized distributors by up to 30 days to account for shipping time.

If a defective part is covered by the warranty, what will Vestil do to correct the problem?

Vestil will provide an appropriate replacement for any covered part. An authorized representative of Vestil will contact you to discuss your claim.

What is not covered by the warranty?

1. Labor;
2. Freight;
3. Occurrence of any of the following, which automatically voids the warranty:
 - Product misuse;
 - Negligent operation or repair;
 - Corrosion or use in corrosive conditions;
 - Inadequate or improper maintenance;
 - Damage sustained during shipping;
 - Accidents involving the product;
 - Unauthorized modifications: DO NOT modify the product IN ANY WAY without first receiving written authorization from Vestil. Modification(s) might make the product unsafe to use or might cause excessive and/or abnormal wear.

Do any other warranties apply to the product?

Vestil Manufacturing Corp. makes no other express warranties. All implied warranties are disclaimed to the extent allowed by law. Any implied warranty not disclaimed is limited in scope to the terms of this Limited Warranty.

